



Haws®

AXION® MSR Corrosion Resistant Pedestal Eye/Face Wash

model 7777

FEATURES & BENEFITS

CONSTRUCTION

32mm Stainless Steel pipe and fittings along with cast finished stainless steel 22.9 cm (9") diameter floor flange provide a superior defence in a highly corrosive environment.

VALVES

Type 316 Stainless Steel ball valve is designed to make the flushing of fluid occur with the simple push of a stainless steel flag, and is equipped with a stainless steel ball and stem to provide a superior protection against corrosion and breakage.

STRAINERS/FILTERS

Type 304 Stainless Steel in-line 50 x 50 mesh water strainer supplies added protection against corrosion and prevents debris from reaching the eye/face wash so the 8330 stays functioning at its best. Strainer is easily serviceable.

SAFETY

Emergency safety sign (400mm x 300mm) make the unit easily detected in an emergency. Test card to record weekly checks helps maintain the unit's best working quality.

EYE/FACE WASH

AXION® MSR eye/face wash head (patent pending) uses an inverted directional laminar flow to sweep contaminants away from the vulnerable nasal cavity.



SPECIFICATIONS

Model 7777 - 1021 stainless steel pedestal-mounted eye/face wash shall include a stainless steel 27.9 cm (11") round bowl, an AXION® MSR eye/face wash head with inverted directional laminar flow which achieves Zero Vertical Velocity™ supplied by an integral flow control, Type 316 stainless steel ball valve equipped with stainless steel ball and stem, and Type 304 stainless steel in-line 50 x 50 mesh water strainer. Unit shall also include Type 304 pipe and fittings, stainless steel floor flange, yellow plastic dust cover, emergency safety sign, 15mm (1/2") BSP inlet, and 32mm waste.

OPTIONS

- Test Tag: SP170 is a green waterproof test card with space for date and initials of inspector. Used to record weekly testing of emergency equipment.
- Foot Treadle : Model SP220SS foot control assembly, including chain, clamp, nut, ring, screw, spring and stainless steel treadle.
- Heated Water Solutions: A range of heater water solutions are available from All Valve Industries inclusive of Thermostatic Mixing Valves and Tankless Water Heaters. Please contact All Valve for more information on these technical solutions.

APPLICATIONS

In an environment where materials need to withstand the greatest corrosion, where eyes and face of any person may be exposed to these injurious or corrosive materials, suitable facilities for quick drenching or flushing of the eyes and face shall be provided within the work area for immediate emergency use. Emergency eye/face wash facilities shall be in unobstructed and accessible locations that require no more than 10 seconds for the injured person to reach. Model 7777 – 1021 is certified by CSA to meet the ANSI Z358.1 and by IAPMO Oceana to AS4775.

For more information, visit www.allvalve.com.au or call +61 2 8543 9811



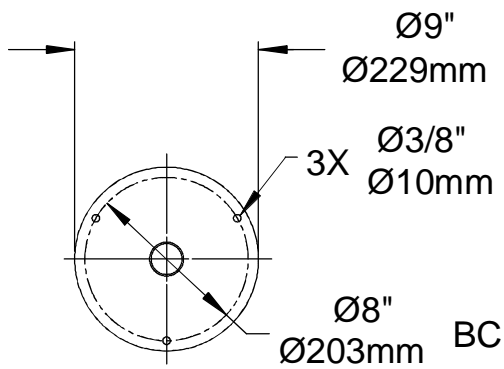
NOTES:

1. TO COMPLY WITH ANSI Z358.1-2009 FOR EMERGENCY EYEWASH OR EYE/FACE WASH AND SHOWER EQUIPMENT:
 - UNIT SHALL BE INSTALLED IN ACCORDANCE WITH MANUFACTURER'S INSTRUCTIONS AND ACCEPTABLE PLUMBING PRACTICES.
 - EYEWASH OR EYE/FACE WASH SHALL BE POSITIONED WITH NOZZLES NOT LESS THEN 83.8 CM (33 IN.) AND NO GREATER THAN 114.3 CM (45 IN.) FROM SURFACE ON WHICH USER STANDS AND 15.3 CM (6 IN.) MINIMUM FROM WALL OR NEAREST OBSTRUCTION.

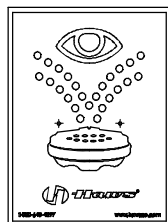
2. *DIMENSIONS MAY VARY ±1/2" [12.7mm].

3. CENTERLINE WASTE PLACED 9"[229mm] MIN. FROM OBSTRUCTION.

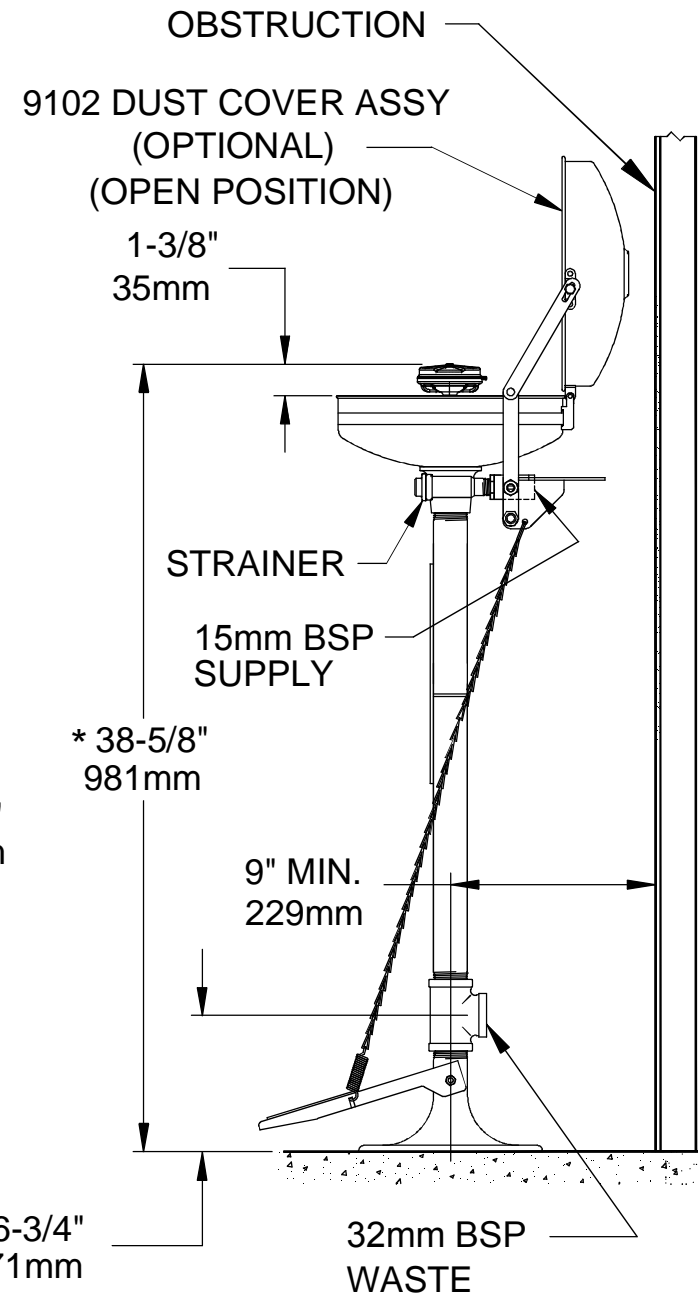
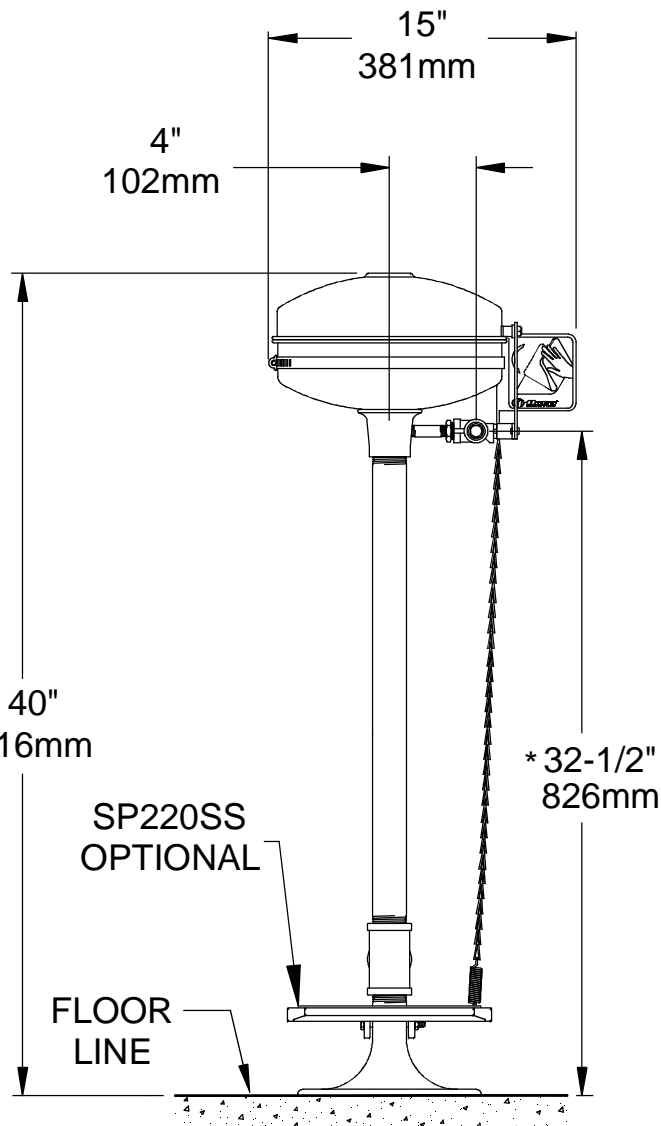
4 DIM APPLIES WHEN OPTIONAL 9102 DUST COVER ASSEMBLY IS USED.



MOUNTING DETAIL



SIGN IS TO BE POSITIONED SUCH THAT IT IS VISIBLE WITHIN THE AREA SERVED BY THE EYEWASH



		1455 KLEPPE LANE SPARKS, NEVADA 89431 (775) 359-4712 FAX (775) 359-7424 E-MAIL: HAWS@HAWSCO.COM WEBSITE: WWW.HAWSCO.COM	
ECN NO. REVISED PER BY:	MODEL(S)	PART NUMBER	
ECN: 5133 CJC	7777	0002080102.D	
DRAWN: CJL DATE: 05/91 CHKD: VVC	SS PED MTD EYE/FACE WASH	REVISION	
APPROVED: FV DATE: 09/01/16	SCALE: 1/10 DRAWING TYPE: INSTALLATION	15	
		SIZE: A	SHEET 1 OF 1